



ZHEJIANG HANGCHA IMP. & EXP. CO., LTD.

Factory site: No. 88, Donghuan Rd., Lin'an Economic Development Zone, Zhejiang, China (311305)

Tel: +86-571-88926735 88926755
Fax: +86-571-88132890 88926789

sales@hcforklift.com
www.hcforklift.com



Printed in China 2016/11/EN



ISO14001:2004



ISO9001:2008



HANGCHA trucks conform to the European Safety Requirements.

HANGCHA GROUP CO., LTD. reserves the right to make any changes without notice concerning colors, equipment, or specifications detailed in this brochure, or to discontinue individual models. The colors of trucks, delivered may differ slightly from those in brochures.



A Series 3-pivot Electric Forklift Truck

with capacities of 1,300 to 2,000kg

The World of Hangcha



Move freely, lift freely

The newest generation A series 1.3-2.0t 3-pivot electric counterbalance truck is new product of HANGCHA. The totally new designed outline, safety, comfortability and reliability are fully improved, and the whole truck's performance is also improved.





Appearance

- / Compact design meets the limited space operation requirement. Eyeball catching designed smooth outline and metal material applied for exposed parts, all provide robust construction of the A series three-pivot electric counterbalance forklift truck.

Maneuverability

- / Front dual separated driving motors can realize the wheels forward or backward independently, the small turning radius is suitable for narrow channel; Imported reducer, high power driving motor provides a reliable and strong performance.

High Efficiency

- / High power pump motor and low noise gear pump, both improve the lifting speed and work efficiency.
- / Regenerative braking during deceleration is more energy saving and effectively.

Comfort

- / Thanks to the new designed adjustable levers, the operator can work more comfortable. New designed dashboard is easy to see and provides friendly human-computer interaction and with running hours, self diagnosis functions and the battery power show.
- / Both the steering column and seat can be adjusted easily, every operator can find the best driving position.
- / Low vibration and suspension seat reduce the driver's fatigue.

Stability

- / Sinking type battery layout provides good stability especially during cornering.
- / The soft landing system protects the forks from dashing against the ground.

Safety

- / Emergency switch is standard specification which meets the Euro safety regulation.
- / Both electronics and hydraulic system are equipped with overloading protection system.
- / Driving speed is automatically reduction during cornering.

Maintenance

- / Full opened battery cover is easy for battery service and changing.
- / The service engineer can remove the front floor board without any tool, it is convenient for the maintenance.

Advance

- / World famous controller, connectors, battery plug and emergency switch are applied to ensure the reliability of the performance and provides easy service.
- / High frequency MOSFET integrated control system provides accurate control of travelling, lifting and better adjustable performance that better matches with the motor. No roll-back on ramp is also provided thanks to MOSFET controller. Motor brake is for regenerative braking during deceleration, direction changing, and downward slope.

Standard Specification

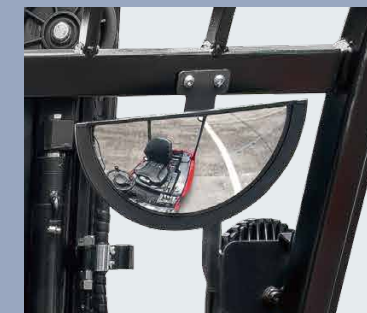
- / High efficiency AC driving motor
- / Multi-functions instrument
- / Front dual driving motors
- / Rubber floor mat
- / Solid tyre
- / Emergency disconnect switch
- / 2-valve inside chassis
- / LED headlight
- / Rear combination LED light
- / Panoramic rearview mirror (in the middle position of the overhead guard)
- / 3 meters duplex wide view mast
- / Adjustable steering column
- / Full electronic controlled travelling, lifting and steering
- / Horn and reversing buzzer
- / Toolbox and file folder
- / CAN-BUS system
- / Low noise gear pump (Brand: Shimadzu, Made in Japan)
- / Full hydraulic steering
- / Soft landing system
- / Non suspension seat: Grammer GS12 with switch
- / ZF reducer and SCHABMULLER traveling motor

Options

- / 3rd or 4th hydraulic function
- / 2.5-4.5 meters duplex mast
- / 4.3-6.5 meters triplex mast
- / Rear working LED light
- / Reversing assist grip with horn button
- / Integrated sideshifter
- / Other attachments
- / Other dimension forks
- / Special carriage and backrest
- / Big capacity battery
- / Non-marking tyre
- / Battery charger
- / Battery side roll-out (Using pallet truck)
- / Fingertip control on the adjustable armrest
- / Cold store protection
- / Suspension seat
- / Full closed cabin
- / Socket for other equipment
- / Blue spot light
- / OPS system



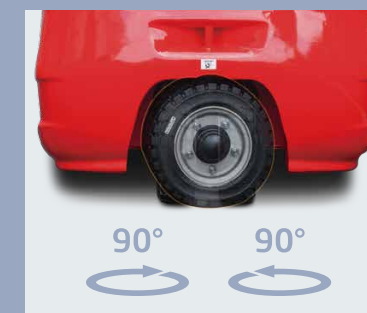
Front dual separated motors



Panoramic rearview mirror



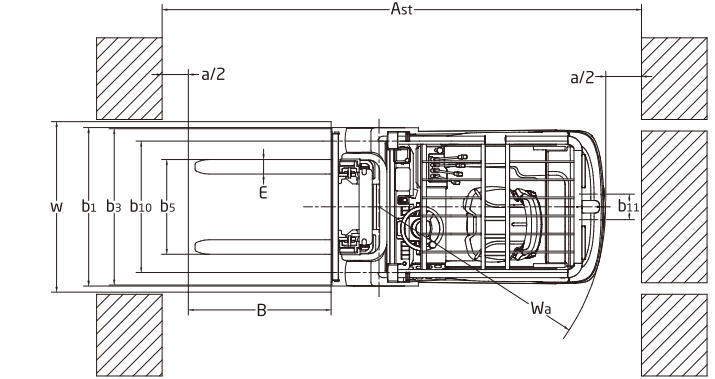
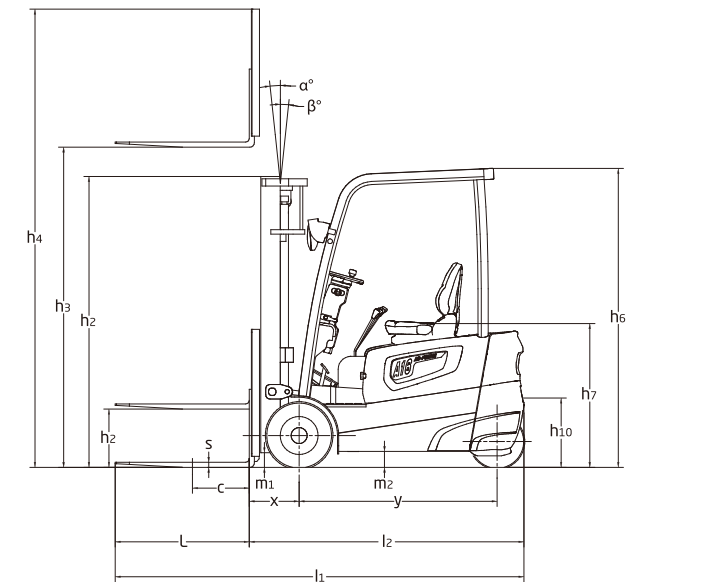
Cover can be easily opened by adjusting the levels forward



The small turning radius is suitable for narrow channel

A Series 3-wheel Electric Forklift Truck

		HANGCHA GROUP CO., LTD.										
Distinguishing mark	1.1	Manufacturer										
	1.2	Manufacturers type designation										
Weight	1.3	Drive: electric (battery or mains), diesel, petrol, fuel gas										
	1.4	Operator type: hand, pedestrian, standing, seated, order-picker										
Tyres chassis	1.5	Q (kg)	1300	1500	1600	1800	2000	1300	1500	1600	1800	2000
	1.6	c (mm)	500	500	500	500	500	500	500	500	500	500
	1.8	x (mm)	355	355	355	360	360	355	355	355	360	360
	1.9	y (mm)	1250	1250	1358	1358	1466	1250	1250	1358	1358	1466
	2.1		2860	2980	3120	3240	3470	2860	2980	3120	3240	3470
	2.2	kg	3600/560	3890/590	4100/620	4350/690	4750/720	3600/560	3890/590	4100/620	4350/690	4750/720
	2.3	kg	1350/1510	1350/1630	1440/1680	1440/1800	1530/1940	1350/1510	1350/1630	1440/1680	1440/1800	1530/1940
	3.1		solid	solid	solid	solid	solid	solid	solid	solid	solid	solid
	3.2		18x7 - 8	18x7 - 8	18x7 - 8	18x7 - 8	200/50-10	18x7 - 8	18x7 - 8	18x7 - 8	18x7 - 8	200/50-10
	3.3		15x4.5 - 8	15x4.5 - 8	15x4.5 - 8	15x4.5 - 8	15x4.5 - 8	15x4.5 - 8	15x4.5 - 8	15x4.5 - 8	15x4.5 - 8	
3.5		2x/2	2x/2	2x/2	2x/2	2x/2	2x/2	2x/2	2x/2	2x/2		
3.6	b ₁₀ (mm)	910	910	910	910	915	910	910	910	910		
3.7	b ₁₁ (mm)	175	175	175	175	175	175	175	175	175		
4.1	α/β(°)	6/6	6/6	6/6	5.5/6	5.5/6	6/6	6/6	6/6	5.5/6	5.5/6	
4.2	h ₁ (mm)	1995	1995	1995	1995	1995	1995	1995	1995	1995		
4.3	h ₂ (mm)	145	145	145	145	145	145	145	145	145		
4.4	h ₃ (mm)	3000	3000	3000	3000	3000	3000	3000	3000	3000		
4.5	h ₄ (mm)	3945	3945	3945	3945	3945	3945	3945	3945	3945		
4.7	h ₅ (mm)	2040	2040	2040	2040	2040	2040	2040	2040	2040		
4.8	h ₆ (mm)	2130	2130	2130	2155	2155	2130	2130	2130	2155	2155	
4.9	h ₇ (mm)	1000	1000	1000	1000	1000	1000	1000	1000	1000		
4.12	h ₁₀ (mm)	500	500	500	500	500	500	500	500	500		
4.19	l ₁ (mm)	2710	2710	2818	2823	2930	2710	2710	2818	2823	2930	
4.20	l ₂ (mm)	1790	1790	1898	1903	2010	1790	1790	1898	1903	2010	
4.21	b ₁ (mm)	1086	1086	1086	1086	1120	1086	1086	1086	1086	1120	
4.22	s/e/l (mm)	35/100/920	35/100/920	35/100/920	35/100/920	40/122/920	35/100/920	35/100/920	35/100/920	35/100/920	40/122/920	
4.23	Fork carriage DIN 15 173 --- ISO 2328, class/type A,B											
4.24	b ₂ (mm)	1000	1000	1000	1000	1000	1000	1000	1000	1000		
4.25	b ₃ (mm)	200/1000	200/1000	200/1000	240/1000	240/1000	200/1000	200/1000	200/1000	240/1000	240/1000	
4.31	m ₁ (mm)	100	100	100	100	100	100	100	100	100		
4.32	m ₂ (mm)	110	110	110	110	110	110	110	110	110		
4.34.1	A _{st} (mm)	3134	3134	3237	3237	3342	3134	3134	3237	3237	3342	
4.34.2	A _{st} (mm)	3257	3257	3360	3360	3465	3257	3257	3360	3360	3465	
4.35	W _a (mm)	1452	1452	1555	1555	1660	1452	1452	1555	1555	1660	
4.36	b ₁₃ (mm)	620	620	680	730	730	620	620	680	730	730	
5.1	km/h	16/16	16/16	16/16	16/16	15/15	16/16	16/16	16/16	16/16	15/15	
5.2	m/s	0.400/0.470	0.390/0.470	0.380/0.470	0.370/0.450	0.350/0.450	0.400/0.470	0.390/0.470	0.380/0.470	0.370/0.450	0.350/0.450	
5.3	m/s	0.460/0.440	0.460/0.440	0.460/0.440	0.470/0.420	0.470/0.420	0.460/0.440	0.460/0.440	0.460/0.440	0.460/0.420	0.470/0.420	
5.5	N	3500/4000	3400/3950	3300/3900	3200/3800	3050/3700	3500/4000	3400/3950	3300/3900	3200/3800	3050/3700	
5.6	N	12000/12000	12000/12000	11600/11500	11500/11400	11200/11000	12000/12000	12000/12000	11600/11500	11500/11400	11200/11000	
5.7	%	16/18	16/18	16/18	15/17	13/15	16/18	16/18	16/18	15/17	13/15	
5.8	%	20/20	20/20	20/20	18/20	15/18	20/20	20/20	20/20	18/20	15/18	
5.9	s	4.5/4.1	4.6/4.2	4.7/4.3	4.8/4.4	4.9/4.5	4.5/4.1	4.6/4.2	4.7/4.3	4.8/4.4	4.9/4.5	
5.10		Hydraulic	Hydraulic	Hydraulic	Hydraulic	Hydraulic	Hydraulic	Hydraulic	Hydraulic	Hydraulic	Hydraulic	
5.11		Mechanical	Mechanical	Mechanical	Mechanical	Mechanical	Mechanical	Mechanical	Mechanical	Mechanical	Mechanical	
6.1	kW	4.75x2 AC	4.75x2 AC	4.75x2 AC	4.75x2 AC	4.75x2 AC	4.75x2 AC	4.75x2 AC	4.75x2 AC	4.75x2 AC	4.75x2 AC	
6.2	kW	8.6 DC	8.6 DC	8.6 DC	8.6 DC	8.6 DC	8.6 DC	8.6 DC	8.6 DC	8.6 DC	8.6 DC	
6.3	Battery acc. to DIN 43 531/35/36 A,B,C, no											
6.4	V/Ah	48/400	48/400	48/400	48/500	48/500	48/400	48/400	48/500	48/500	48/600	
6.5	kg	700	700	920	920	1000	700	700	920	920	1000	
6.6	l/b/h(mm)	830*522*627	830*522*627	830*630*627	830*630*627	830*738*627	830*522*627	830*522*627	830*630*627	830*630*627	830*738*627	
	klWh/h	4.4	4.4	4.6	5.0	5.5	4.4	4.4	4.6	5.0	5.5	
	kg	610	610	850	850	900	610	610	850	850	900	
	kg	750	750	1000	1000	1100	750	750	1000	1000	1100	
8.1	Type of drive control											
9.1	Manufacturer											
10.1	bar	140	150	150	150	150	140	150	150	150	150	
10.2	l/min	35	35	35	35	35	35	35	35	35	35	
10.3	liter	24	24	26	26	29	24	24	26	26	29	
10.7	dB (A)	72	72	73	73	74	72	72	73	73	74	
10.8	Φ24 Pin	Φ24 Pin	Φ24 Pin	Φ24 Pin	Φ24 Pin	Φ24 Pin	Φ24 Pin	Φ24 Pin	Φ24 Pin	Φ24 Pin	Φ24 Pin	



a=200mm safety clearance
 $A_{st} = a + W_a + \sqrt{(X+B)^2 + (W/2)^2}$
 X: Load distance
 B: Length of load or forks which is longer

AC5: means Curtis AC traveling system with DC Pump system, semi-AC system AC6: means Curtis AC traveling system with AC Pump system, full-AC system
 AZ5: means ZAPI AC traveling system with DC Pump system, semi-AC system AZ6: means ZAPI AC traveling system with AC Pump system, full-AC system
 AD5: means Inmotion AC traveling system with DC Pump system, semi-AC system AD6: means Inmotion AC traveling system with AC Pump system, full-AC system

1.3-2.0t Mast Specification:

NO.	Type	Model	Lifting height	Lowered overall height	Overall height		Free lifting height		Tilting range		Capacity					Capacity				
					With backrest	Without backrest	With backrest	Without backrest	Forward	Backward	Load center@500mm					Load center@24Inch				
											1.3t	1.5t	1.6t	1.8t	2.0t	1.3t	1.5t	1.6t	1.8t	2.0t
					mm	mm	mm	mm	(°)	(°)	kg	kg	kg	kg	kg	lbs	lbs	lbs	lbs	lbs
1	Duplex wide view mast	M250	2500	1745	3445	3065	145	145	5.5	6	1300	1500	1600	1800	2000	2600	3000	3200	3600	4000
2		M270	2700	1845	3645	3265	145	145	5.5	6	1300	1500	1600	1800	2000	2600	3000	3200	3600	4000
3		M300	3000	1995	3945	3565	145	145	5.5	6	1300	1500	1600	1800	2000	2600	3000	3200	3600	4000
4		M330	3300	2145	4245	3865	145	145	5.5	6	1300	1500	1600	1800	2000	2600	3000	3200	3600	4000
5		M350	3500	2245	4445	4065	145	145	5.5	6	1300	1500	1600	1800	2000	2600	3000	3200	3600	4000
6		M360	3600	2295	4545	4165	145	145	5.5	6	1300	1500	1600	1800	2000	2600	3000	3200	3600	4000
7		M400	4000	2545	4945	4565	145	145	3.5	5	1300	1500	1600	1800	2000	2600	3000	3200	3600	4000
8		M430	4300	2710	5245	4865	145	145	3.5	5	1200	1400	1500	1700	1900	2400	2800	3000	3400	3800
9		M450	4500	2820	5445	5065	145	145	3.5	5	1100	1300	1400	1600	1800	2200	2600	2800	3200	3600
1	Duplex full-free lifting mast	U250	2500	1745	3455	3095	800	1160	5.5	6	1300	1500	1600	1800	2000	2600	3000	3200	3600	4000
2		U270	2700	1845	3655	3295	900	1260	5.5	6	1300	1500	1600	1800	2000	2600	3000	3200	3600	4000
3		U300	3000	1995	3955	3595	1050	1410	5.5	6	1300	1500	1600	1800	2000	2600	3000	3200	3600	4000
4		U330	3300	2145	4255	3895	1200	1560	5.5	6	1300	1500	1600	1800	2000	2600	3000	3200	3600	4000
5		U350	3500	2245	4455	4095	1300	1660	5.5	6	1300	1500	1600	1800	2000	2600	3000	3200	3600	4000
6		U360	3600	2295	4555	4195	1350	1710	5.5	6	1300	1500	1600	1800	2000	2600	3000	3200	3600	4000
7		U400	4000	2545	4955	4595	1600	1960	3.5	5	1300	1500	1600	1800	2000	2600	3000	3200	3600	4000
8		N400	4000	1910	4955	4595	965	1325	3.5	5	1300	1500	1600	1800	2000	2600	3000	3200	3600	4000
9		N430	4300	2010	5255	4895</														