

MYCROS **AC** 8C-10C 10-13

ITALIAN QUALITY SINCE 1920

SPECIFICATION SHEET



SPECIFICATION SHEET

| CHARACTERISTICS | 1 | Manufacturer | Abbreviated form | |
|-----------------|-------------------------|--|--|--------|
| | 2 | Models | Manufacturer's model | |
| | 3 | Capacity | Q Lifting load | kg |
| | 4 | At load center | C Distance | mm |
| | 5 | Type of drive | Electric (Battery) - Diesel - Fuel gas | |
| | 6 | Type of steering | Driver standing - driver sitting - outside | |
| | 7 | Tyres | C Cushion - SE Superel. front / rear | |
| | 8 | Wheels | Quantity (♦ =driven) front / rear | |
| DIMENSIONS | 9 | Lift | h3 Lift | mm |
| | 10 | | h2 Normal free lift (see Mast details) | mm |
| | 11 | Forks FEM 2A | Length(L) x Width(F) x Thickness(S) | mm |
| | 12 | Tilt | Of the mast- forward (α) / backward (β) | <° |
| | 13 | | L2 Length at the fork backrest | mm |
| | 14 | | B Width | mm |
| | 15 | Overall dimensions | h1 Height, mast collapsed | mm |
| | 16 | | h4 Height, mast extended | mm |
| | 17 | | h5 Height overhead guard | mm |
| | 18 | | h6 Height seat from floor | mm |
| 19 | Turning radius | Wa | mm | |
| 20 | Distance of load | X From centre front axle | mm | |
| 21 | Width of aisle | O (b'xb²) 1200x800 - 1200x1000 | mm | |
| 22 | | Ast 3 (b'xb²) 1200x800 - 1200x1000 | mm | |
| PERFORMANCES | 23 | Stability tests | Complying with EEC Directive 2006/42/EC | yes/no |
| | 24 | Speeds | Driving with /without load | km/h |
| | 25 | | Lifting with /without load | m/Sec |
| | 26 | | Lowering with /without load | m/Sec |
| | 27 | Draw- bar- pull | At the hook max with /without load | N |
| | 28 | Gradeability | with /without load | % |
| 29 | Max. with /without load | | % | |
| WEIGHT | 30 | Weight | Truck, battery included | kg |
| | 31 | Axle load | Without load front / rear | kg |
| | 32 | | With load front / rear | kg |
| CHASSIS | 33 | Wheels | Number front / rear | n |
| | 34 | | Dimensions front | mm |
| | 35 | Dimensions rear | mm | |
| | 36 | Wheel base | Y min. / max. (variable) | mm |
| | 37 | Wheel track | Wheels centerline front | mm |
| | 38 | Ground clearance | M With load at the lowest point | mm |
| | 39 | | M1 With load of wheel base | mm |
| | 40 | Brakes | Service (foot) brake | |
| | 41 | | Hand parking brake | |
| | DRIVE | 42 | Battery | Type |
| 43 | | Volt/Ah (capacity at 5 hours' discharge) | | V/Ah |
| 44 | | Weight | kg | |
| 45 | | Power steering | Hydraulic - electronically controlled | yes/no |
| 46 | | Electric motors | Hourly output of driving motor S2 60 min. | kW |
| 47 | | | Lifting motor, output S3 20 % | kW |
| 48 | | Traction Contr. | AC MOSFET | yes/no |
| 49 | | Pump control | Electronic by microprocessors | yes/no |
| 50 | | Working Press. | For additional attachments | bar |

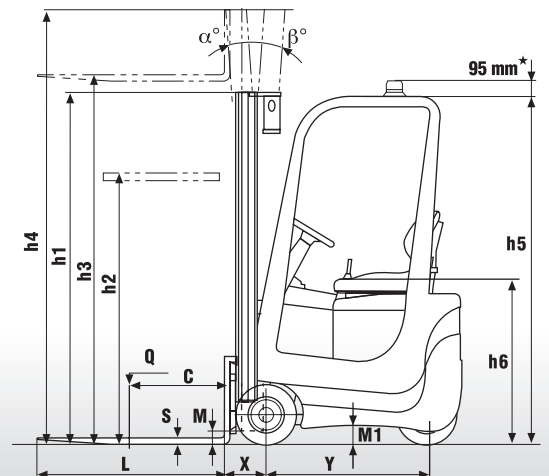
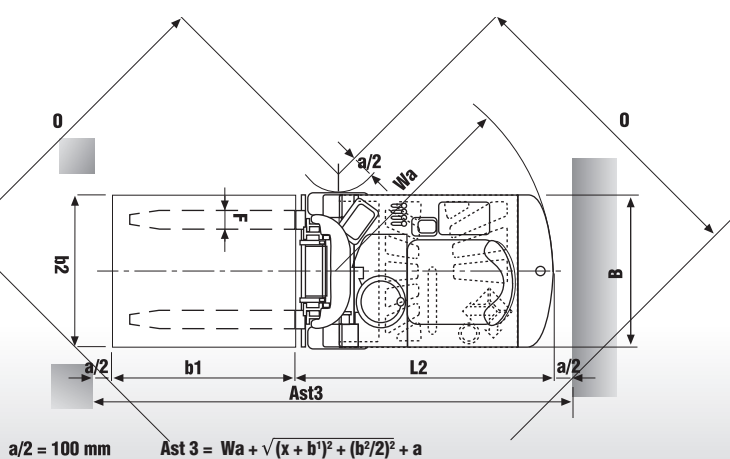
MYCROS AC1

| MYCROS AC1 8C | MYCROS AC1 10C | MYCROS AC1 10 | MYCROS AC1 13 |
|-------------------|-------------------|------------------------|------------------------|
| V.MARIOTTI S.r.l. | V.MARIOTTI S.r.l. | V.MARIOTTI S.r.l. | V.MARIOTTI S.r.l. |
| MYCROS AC1 8C | MYCROS AC1 10C | MYCROS AC1 10 | MYCROS AC1 13 |
| 800 | 1000 | 1000 | 1300 |
| 500 | 500 | 500 | 500 |
| electric | electric | electric | electric |
| driver sitting | driver sitting | driver sitting | driver sitting |
| C / C | C / C | SE / SE - C / C | SE / SE - C / C |
| 2 / 1♦ | 2 / 1♦ | 2 / 1♦ | 2 / 1♦ |
| 3200 | 3200 | 3200 | 3200 |
| \ | \ | \ | \ |
| 1000x80x30 | 1000x80x30 | 1000x100x35 | 1000x100x35 |
| 2° 30' / 6° | 2° 30' / 6° | 2° 50' / 6° | 2° 50' / 6° |
| 1348 | 1348 | 1498 | 1498 |
| 835 | 835 | 910 SE - 920 C | 910 SE - 920 C |
| 2092 | 2092 | 2102 | 2102 |
| 3704 | 3704 | 3704 | 3704 |
| 1950 | 1950 | 1998 | 1998 |
| 950 | 950 | 980 | 980 |
| 1098 # | 1098 # | 1208 # | 1208 # |
| 250 * | 250 * | 290 * | 290 * |
| 1850 - 1905 | 1850 - 1905 | 1860 - 1915 | 1860 - 1915 |
| 2802 - 2832 | 2802 - 2832 | 2950 - 2980 | 2950 - 2980 |
| yes | yes | yes | yes |
| 7,5 / 7,8 | 7,5 / 7,8 | 9 / 9,2 | 9 / 9,2 |
| 0,30 / 0,38 | 0,29 / 0,38 | 0,29 / 0,38 | 0,28 / 0,38 |
| 0,34 / 0,26 | 0,35 / 0,26 | 0,35 / 0,26 | 0,36 / 0,26 |
| 1800 / 1950 | 1700 / 1850 | 3100 / 3250 | 3000 / 3200 |
| 13 / 18 | 10 / 18 | 13 / 18 | 10 / 16 |
| 20 / 25 | 18 / 24 | 17 / 25 | 15 / 24 |
| 1850 ° | 2150 ° | 2290 ° | 2600 ° |
| 910 / 940 | 950 / 1200 | 1100 / 1190 | 1220 / 1380 |
| 2270 / 380 | 2740 / 410 | 2820 / 470 | 3420 / 480 |
| 2 / 1 | 2 / 1 | 2 / 1 | 2 / 1 |
| 343x114x203 ** | 343x114x203 ** | 145x60-9 413x152x285,8 | 145x60-9 413x152x285,8 |
| 343x140x203 | 343x140x203 | 145x60-9 413x152x285,8 | 145x60-9 413x152x285,8 |
| 876 / 966 | 876 / 966 | 960 / 1050 | 960 / 1050 |
| 721 | 721 | 765 SE - 768 C | 765 SE - 768 C |
| 65 | 65 | 90 | 90 |
| 95 | 95 | 110 | 110 |
| hydraulic | hydraulic | hydraulic | hydraulic |
| mechanical | mechanical | mechanical | mechanical |
| Traction | Traction | Traction | Traction |
| 36/270 - 36/375 | 36/375 | 36/315 - 36/500 | 36/500 |
| 360 ° - 440 | 440 ° | 410 ° - 540 | 540 ° |
| yes | yes | yes | yes |
| 3,5 | 3,5 | 5 | 5 |
| 6,5 | 6,5 | 6,5 | 6,5 |
| yes | yes | yes | yes |
| yes | yes | yes | yes |
| 125 | 155 | 155 | 190 |

with mast in vertical position * included side-shift ** With triplex mast: 343x140x203

★ On demand installation of the flashlight inside the height of the overhead guard h5

Data showed are not binding and are liable to variations. The constructor reserves the right of changes without notice.



MYCROS AC2

| MYCROS AC2 8C | MYCROS AC2 10C | MYCROS AC2 10 | MYCROS AC2 13 |
|-------------------|-------------------|------------------------|------------------------|
| V.MARIOTTI S.r.l. | V.MARIOTTI S.r.l. | V.MARIOTTI S.r.l. | V.MARIOTTI S.r.l. |
| MYCROS AC2 8C | MYCROS AC2 10C | MYCROS AC2 10 | MYCROS AC2 13 |
| 800 | 1000 | 1000 | 1300 |
| 500 | 500 | 500 | 500 |
| electric | electric | electric | electric |
| driver sitting | driver sitting | driver sitting | driver sitting |
| C / C | C / C | SE / SE - C / C | SE / SE - C / C |
| 2♦ / 1 | 2♦ / 1 | 2♦ / 1 | 2♦ / 1 |
| 3200 | 3200 | 3200 | 3200 |
| \ | \ | \ | \ |
| 1000x80x30 | 1000x80x30 | 1000x100x35 | 1000x100x35 |
| 2° 30' / 6° | 2° 30' / 6° | 2° 50' / 6° | 2° 50' / 6° |
| 1348 | 1348 | 1498 | 1498 |
| 870 | 870 | 930 SE - 940 C | 930 SE - 940 C |
| 2092 | 2092 | 2102 | 2102 |
| 3704 | 3704 | 3709 | 3709 |
| 1950 | 1950 | 1998 | 1998 |
| 950 | 950 | 980 | 980 |
| 1098 # | 1098 # | 1208 # | 1208 # |
| 250 * | 250 * | 290 * | 290 * |
| 1860 - 1915 | 1860 - 1915 | 1870 - 1925 | 1870 - 1925 |
| 2802 - 2832 | 2802 - 2832 | 2950 - 2980 | 2950 - 2980 |
| yes | yes | yes | yes |
| 7,8 / 8 | 7,8 / 8 | 9,2 / 9,5 | 9 / 9,5 |
| 0,30 / 0,38 | 0,29 / 0,38 | 0,29 / 0,38 | 0,28 / 0,38 |
| 0,34 / 0,26 | 0,35 / 0,26 | 0,35 / 0,26 | 0,36 / 0,26 |
| 3000 / 3500 | 3000 / 3500 | 3100 / 3250 | 3000 / 3200 |
| 18 / 20 | 16 / 18 | 14 / 18 | 11 / 18 |
| 22 / 25 | 20 / 24 | 18 / 25 | 16 / 24 |
| 1900 ° | 2190 ° | 2350 ° | 2690 ° |
| 920 / 980 | 990 / 1200 | 1160 / 1190 | 1300 / 1390 |
| 2320 / 380 | 2790 / 400 | 2870 / 480 | 3500 / 490 |
| 2 / 1 | 2 / 1 | 2 / 1 | 2 / 1 |
| 343x114x203 ** | 343x114x203 ** | 145x60-9 413x152x285,8 | 145x60-9 413x152x285,8 |
| 343x140x203 | 343x140x203 | 145x60-9 413x152x285,8 | 145x60-9 413x152x285,8 |
| 876 / 966 | 876 / 966 | 960 / 1050 | 960 / 1050 |
| 756 | 756 | 784 SE - 788 C | 784 SE - 788 C |
| 65 | 65 | 90 | 90 |
| 95 | 95 | 110 | 110 |
| hydraulic | hydraulic | hydraulic | hydraulic |
| mechanical | mechanical | mechanical | mechanical |
| Traction | Traction | Traction | Traction |
| 36/315 - 36/375 | 36/375 | 36/375 - 36/500 | 36/500 |
| 400 ° - 440 | 440 ° | 440 ° - 540 | 540 ° |
| yes | yes | yes | yes |
| 3,5 x 2 | 3,5 x 2 | 3,5 x 2 | 3,5 x 2 |
| 6,5 | 6,5 | 6,5 | 6,5 |
| yes | yes | yes | yes |
| yes | yes | yes | yes |
| 125 | 155 | 155 | 190 |

MYCROS AC3

| MYCROS AC3 8C | MYCROS AC3 10C | MYCROS AC3 10 | MYCROS AC3 13 |
|-------------------|-------------------|------------------------|------------------------|
| V.MARIOTTI S.r.l. | V.MARIOTTI S.r.l. | V.MARIOTTI S.r.l. | V.MARIOTTI S.r.l. |
| MYCROS AC3 8C | MYCROS AC3 10C | MYCROS AC3 10 | MYCROS AC3 13 |
| 800 | 1000 | 1000 | 1300 |
| 500 | 500 | 500 | 500 |
| electric | electric | electric | electric |
| driver sitting | driver sitting | driver sitting | driver sitting |
| C / C | C / C | SE / SE - C / C | SE / SE - C / C |
| 2♦ / 1♦ | 2♦ / 1♦ | 2♦ / 1♦ | 2♦ / 1♦ |
| 3200 | 3200 | 3200 | 3200 |
| \ | \ | \ | \ |
| 1000x80x30 | 1000x80x30 | 1000x100x35 | 1000x100x35 |
| 2° 30' / 6° | 2° 30' / 6° | 2° 50' / 6° | 2° 50' / 6° |
| 1348 | 1348 | 1498 | 1498 |
| 870 | 870 | 930 SE - 940 C | 930 SE - 940 C |
| 2092 | 2092 | 2102 | 2102 |
| 3704 | 3704 | 3709 | 3709 |
| 1950 | 1950 | 1998 | 1998 |
| 950 | 950 | 980 | 980 |
| 1098 # | 1098 # | 1208 # | 1208 # |
| 250 * | 250 * | 290 * | 290 * |
| 1860 - 1915 | 1860 - 1915 | 1870 - 1925 | 1870 - 1925 |
| 2802 - 2832 | 2802 - 2832 | 2950 - 2980 | 2950 - 2980 |
| yes | yes | yes | yes |
| 7,8 / 8 | 7,8 / 8 | 9,2 / 9,5 | 9 / 9,5 |
| 0,30 / 0,38 | 0,29 / 0,38 | 0,29 / 0,38 | 0,28 / 0,38 |
| 0,34 / 0,26 | 0,35 / 0,26 | 0,35 / 0,26 | 0,36 / 0,26 |
| 3000 / 3500 | 3000 / 3500 | 3100 / 3250 | 3000 / 3200 |
| 18 / 20 | 16 / 18 | 14 / 18 | 11 / 18 |
| 22 / 25 | 20 / 24 | 18 / 25 | 16 / 24 |
| 1940 ° | 2230 ° | 2400 ° | 2650 ° |
| 930 / 1010 | 990 / 1240 | 1170 / 1230 | 1220 / 1430 |
| 2330 / 410 | 2790 / 440 | 2880 / 520 | 3420 / 530 |
| 2 / 1 | 2 / 1 | 2 / 1 | 2 / 1 |
| 343x114x203 ** | 343x114x203 ** | 145x60-9 413x152x285,8 | 145x60-9 413x152x285,8 |
| 343x140x203 | 343x140x203 | 145x60-9 413x152x285,8 | 145x60-9 413x152x285,8 |
| 876 / 966 | 876 / 966 | 960 / 1050 | 960 / 1050 |
| 756 | 756 | 784 SE - 788 C | 784 SE - 788 C |
| 65 | 65 | 90 | 90 |
| 95 | 95 | 110 | 110 |
| hydraulic | hydraulic | hydraulic | hydraulic |
| mechanical | mechanical | mechanical | mechanical |
| Traction | Traction | Traction | Traction |
| 36/315 - 36/375 | 36/375 | 36/375 - 36/500 | 36/500 |
| 400 ° - 440 | 440 ° | 440 ° - 540 | 540 ° |
| yes | yes | yes | yes |
| 3,5 x 3 | 3,5 x 3 | 3,5 x 2 + 5 | 3,5 x 2 + 5 |
| 6,5 | 6,5 | 6,5 | 6,5 |
| yes | yes | yes | yes |
| yes | yes | yes | yes |
| 125 | 155 | 155 | 190 |

MYCROS AC 8C-10C

- Traction: rear, front or all wheel
- Voltage 36 V
- AC traction and pump motors
- Electronic lift control
- Cushion tires
- Power Steering
- Integrated side-shift
- Lift height from 2900 mm to 5700 mm
- Curve Speed Control (CSC)



MYCROS AC 10-13

- Traction: rear, front or all wheel
- Voltage 36 V
- AC traction and pump motors
- Electronic lift control
- Cushion or Superelastic tires
- Power Steering
- Integrated side-shift
- Lift height from 2900 mm to 5700 mm
- Curve Speed Control (CSC)





Data shown is typical. Deviation may occur. The manufacturer reserves the right to make changes without notice.

May 2014

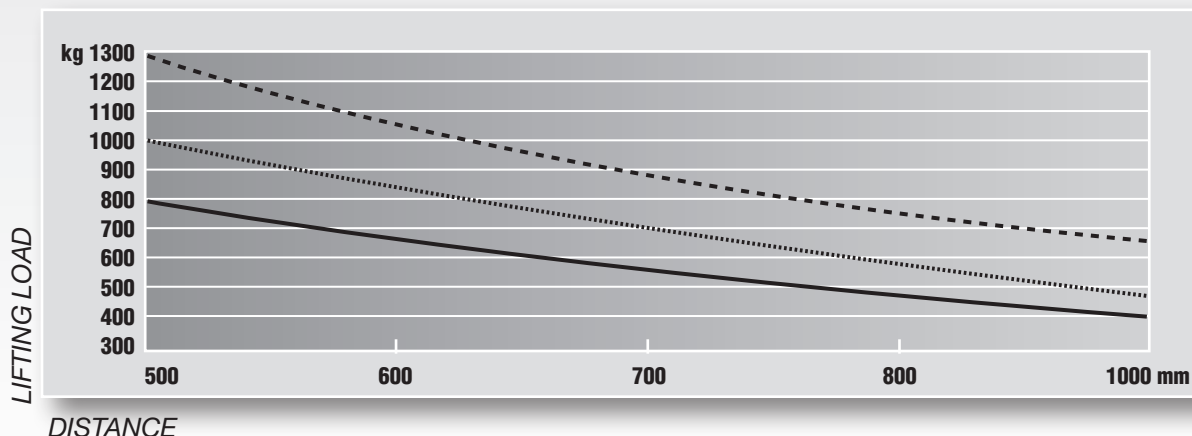
MAST DETAILS MYCROS AC 8C-10C

| HEIGHT | | STANDARD INCL. SIDE-SHIFT | | | | DUPLEX INCL. SIDE-SHIFT | | | | TRIPLEX INCL. SIDE-SHIFT | | |
|-----------------------|----|------------------------------|------|------|------|----------------------------|------|------|------|-----------------------------|------|------|
| | | 2900 | 3200 | 3800 | 4200 | 2900 | 3200 | 3800 | 4200 | 4350 | 4800 | 5700 |
| Lifting | h3 | 2900 | 3200 | 3800 | 4200 | 2900 | 3200 | 3800 | 4200 | 4350 | 4800 | 5700 |
| Height mast collapsed | h1 | 1945 | 2097 | 2397 | 2597 | 1945 | 2097 | 2397 | 2597 | 1945 | 2097 | 2397 |
| Height mast extended | h4 | 3380 | 3684 | 4284 | 4684 | 3380 | 3684 | 4284 | 4684 | 4823 | 5279 | 6179 |
| Free lift | h2 | - | - | - | - | 1478 | 1630 | 1930 | 2130 | 1478 | 1630 | 1930 |
| Width AC1 | B | 835 | | | | 835 | | | | 935 | | |
| Width AC2-AC3 | B | 870 | | | | 870 | | | | 960 | | |

MAST DETAILS MYCROS AC 10-13

| HEIGHT | | STANDARD INCL. SIDE-SHIFT | | | | DUPLEX INCL. SIDE-SHIFT | | | | TRIPLEX INCL. SIDE-SHIFT | | |
|-----------------------|----|------------------------------|------|------|------|----------------------------|------|------|------|-----------------------------|------|------|
| | | 2900 | 3200 | 3800 | 4200 | 2900 | 3200 | 3800 | 4200 | 4350 | 4800 | 5700 |
| Lifting | h3 | 2900 | 3200 | 3800 | 4200 | 2900 | 3200 | 3800 | 4200 | 4350 | 4800 | 5700 |
| Height mast collapsed | h1 | 1955 | 2107 | 2407 | 2607 | 1955 | 2107 | 2407 | 2607 | 1955 | 2107 | 2407 |
| Height mast extended | h4 | 3389 | 3693 | 4293 | 4693 | 3389 | 3693 | 4293 | 4693 | 4833 | 5289 | 6189 |
| Free lift | h2 | - | - | - | - | 1478 | 1630 | 1930 | 2130 | 1478 | 1630 | 1930 |
| Width AC1 | B | 910 SE - 920 C | | | | 910 SE - 920 C | | | | 990 SE - 960 C | | |
| Width AC2-AC3 | B | 930 SE - 940 C | | | | 930 SE - 940 C | | | | 1030 SE - 990 C | | |

— MYCROS AC 8C MYCROS AC 10C - 10 - - - MYCROS AC 13



MYCROS AC 8C-10C

- Traction: rear, front or all wheel
- Voltage 36V
- AC traction and pump motors
- Electronic lift control
- Cushion tires
- Power Steering
- Integrated side-shift
- Lift height from 2900 mm to 5700 mm
- Curve Speed Control (CSC)



MYCROS AC 10-13

- Traction: rear, front or all wheel
- Voltage 36V
- AC traction and pump motors
- Electronic lift control
- Cushion or Superelastic tires
- Power Steering
- Integrated side-shift
- Lift height from 2900 mm to 5700 mm
- Curve Speed Control (CSC)



N.1148
UNI EN ISO 9001:2008



V. MARIOTTI
SINCE 1920